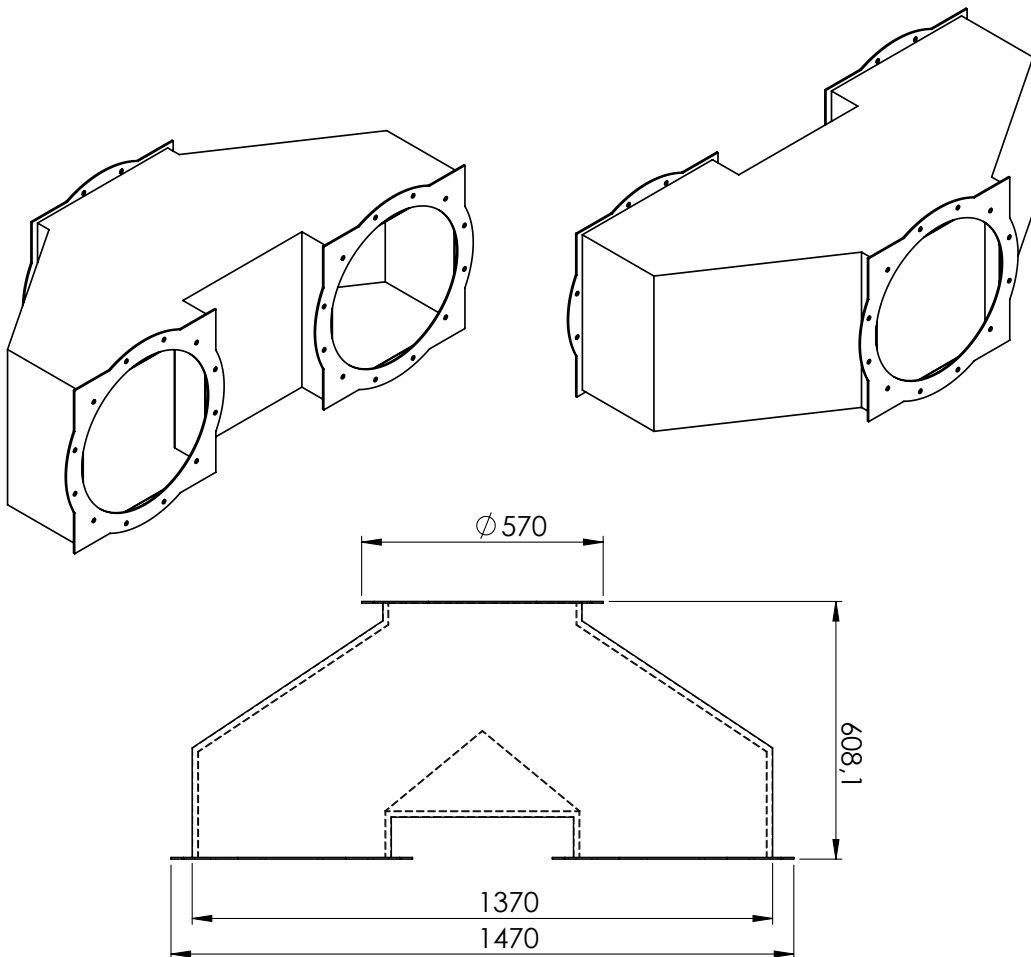


DOUBLE "Y" AIR OUTLET

FOR TELESCOPIC DUCT



- Inner wall in AISI 304 stainless steel
- Armaflex 15 mm insulation
- Outer wall in aluminum sheet 15/10
- Rotating flanges allowing an easy adjustment and fixing
- Fixing by zinc coated bolts and nuts