

TD-PCA

Telescopic Duct for PCAir Systems



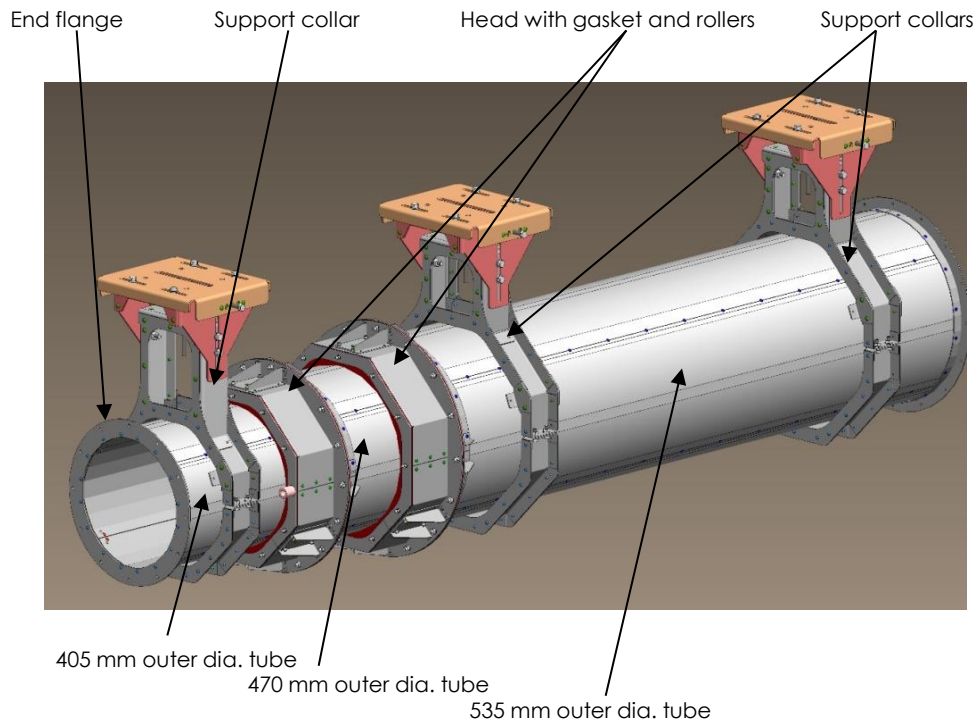
- External shell in Anodized Aluminium alloy: reduces weight and assures corrosion resistance
- Internal shell in Stainless Steel
- Insulation with 12 mm Aerogel for increased thermal resistance
- Three sections for two tunnel bridges and five sections for three tunnel bridges
- Reduces length, in line installation of Hose Retrievers, shipment in container even for long bridges



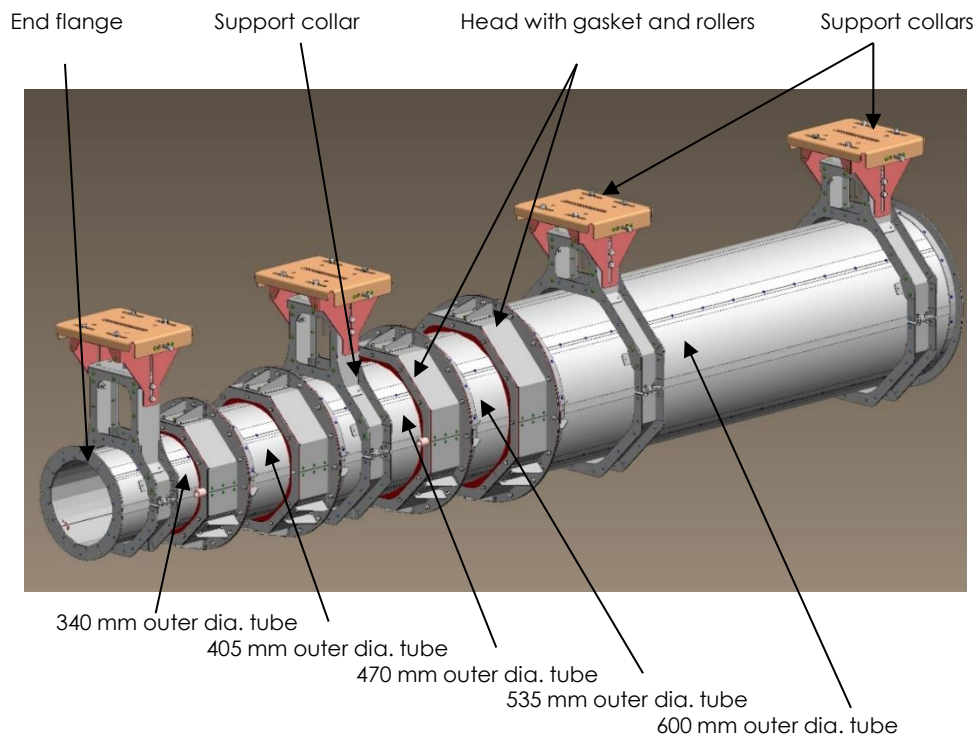
TD-PCA Technical Specifications

Ducts:	
External wall:	Extrusion of anodized Aluminium type 6060T5 EN 755-1
Internal wall:	Stainless Steel
Thermal insulation:	Aerogel HP/SW (silicon dioxide, 90% porosity) 12 mm thick
Fire resistance:	Class A2 UNI EN 13162
Vapor resistance:	Class MU 13 UNI EN 13162
Sliding system:	Bronze Pads and Vulkolan wheels
Air tightness O-Ring:	Tecnocol MD 65 shore 1.5 mm
Service Pressure:	12.000 Pa
Test Pressure:	30.000 Pa
Service Temperature:	-30°C to + 80 °C
Thermal transmittance:	0.015 W/mK
Pressure loss in 3 tunnel Telescopic Duct (without elbows):	20 Pa/m (0,078" H ₂ O/m) (average)
Temperature loss in cooling mode with 0°C preconditioned air and 35°C ambient temperature, 50% R.H.:	0,065°C/m as average
Moment of inertia:	17.180 cm ⁴ (405 mm diameter)
Max deflection on 20 m long tube:	3 cm in the middle
Dimensions and weight:	
3 section Telescopic Duct	5 section Telescopic Duct
Tube B 405 mm outer diameter 36 kg/m	Tube A 340 mm outer diameter 31 kg/m
Tube C 470 mm outer diameter 41 kg/m	Tube B 405 mm outer diameter 36 kg/m
Tube D 535 mm outer diameter 46 kg/m	Tube C 470 mm outer diameter 41 kg/m
	Tube D 535 mm outer diameter 46 kg/m
	Tube E 600 mm outer diameter 51 kg/m

3 Section Telescopic Tube (Typical)



5 Section Telescopic Tube (Typical)



A.T.E.S. ITALIANA S.R.L.

P.LE DE AGOSTINI, 3 - 20146 MILANO, ITALY PH. ++39 02473371,
WEB SITE: WWW.ATESITALIANA.COM E-MAIL: ATES@ATESITALIANA.COM